



## Centra Linear Valve XF...A

### 3-way Flanged Linear Valve PN6

#### APPLICATION

These three-port mixing valves are used for modulating control of hot/chilled water or steam in heating, ventilation, and air conditioning systems.

The valves can be operated by linear actuators series ML64... and ML74...

#### SPECIAL FEATURES

- Cast iron body with flanged end connections
- Low seat leakage rate
- Metal-to-metal seating for long life span
- Self-adjusting packing
- Accurate positioning to ensure state-of-the-art temperature control
- Easy mounting of direct-coupled electric actuators
- Constant total flow throughout full plug travel

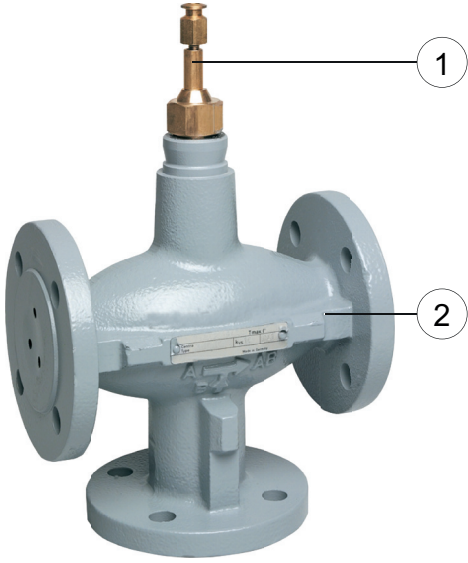
#### TECHNICAL DATA

Media	
Medium:	Water or glycol-water mixture, according to VDI 2035
Operating temperatures and operating pressure	
DN15 - DN80:	2...120 °C: max. 600 kPa
	120...150 °C: max. 540 kPa
	150...170 °C: max. 510 kPa
DN100 - DN150:	2...120 °C: max. 600 kPa
Maximum temperature differential in alternating hot/cold water use:	60 K
Connection/Sizes	
Connection:	Flanged per ISO 7005-2 Cast iron (GG25)
Specifications	
Action:	Stem up to close port A-AB
Nominal pressure rating:	PN6
Flow characteristic:	Equal percentage: port A-AB
	Linear: port B-AB
Rangeability:	50:1



Specifications	
Leakage rate:	
DN15 - DN80:	≤0.5 % of $k_{VS}$ port A-AB ≤1 % of $k_{VS}$ port B-AB
DN100 - DN150:	≤0.1 % of $k_{VS}$ port A-AB ≤1 % of $k_{VS}$ port B-AB
Stroke:	20 mm (DN15 to DN 80) 38 mm (DN100 to DN150)
Packaging:	Spring-loaded PTFE V-rings and cone rings

## CONSTRUCTION

Overview	Components	Materials
	<b>1</b> Stem	Stainless steel
	<b>2</b> Valve body	Cast iron (GG25), Flanged per ISO 7005-2
	<b>Not depicted components:</b>	
	Seat	Stainless steel, replaceable Body integrated
	Plug	Stainless steel, skirt-guided

## INSTALLATION GUIDELINES

### Setup requirements

- Do not install valve with stem below the horizontal
- Fluid flow must correspond with the arrow direction on the valve body
- The installation of a strainer is strongly recommended

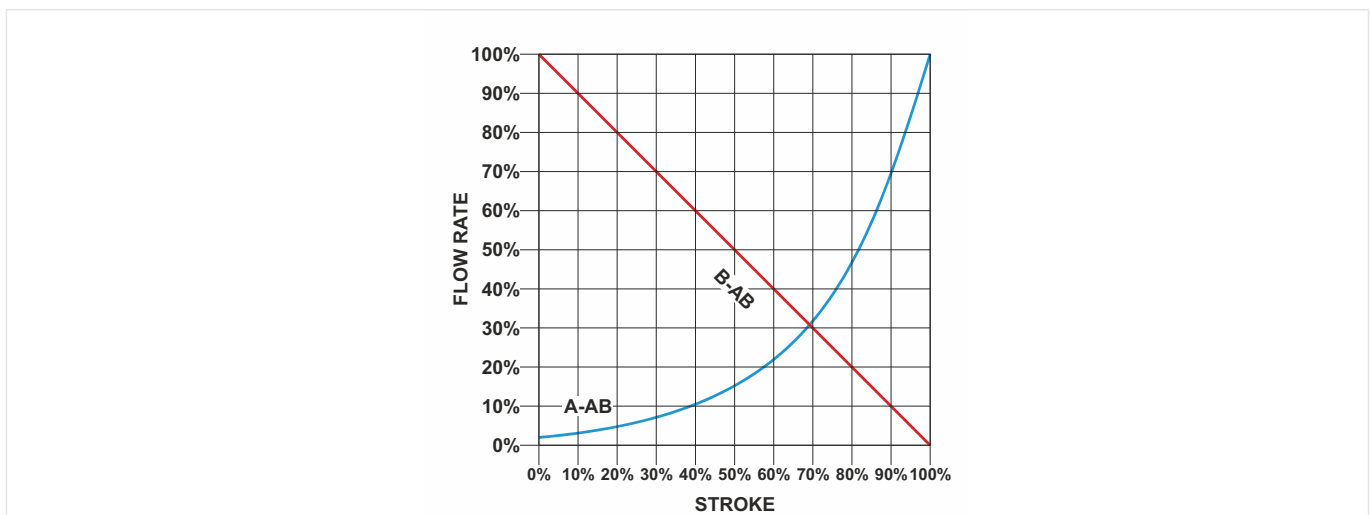
## TECHNICAL CHARACTERISTICS

### Close off pressure ratings in kPa

Actuator		Valve Size										
Model	Force	DN15	DN20	DN25	DN32	DN40	DN50	DN65	DN80	DN100	DN125	DN150
ML6420A ML6425A/B ML7420A ML7425A/B	600 N	600 kPa	600 kPa	600 kPa	600 kPa	480 kPa	260 kPa	160 kPa*	100 kPa*	-	-	-
ML6421A ML7421A	1800 N	-	-	-	600 kPa	600 kPa	600 kPa	600 kPa	400 kPa	-	-	-
ML6421B ML7421B	1800 N	-	-	-	-	-	-	-	-	150 kPa	120 kPa	80 kPa

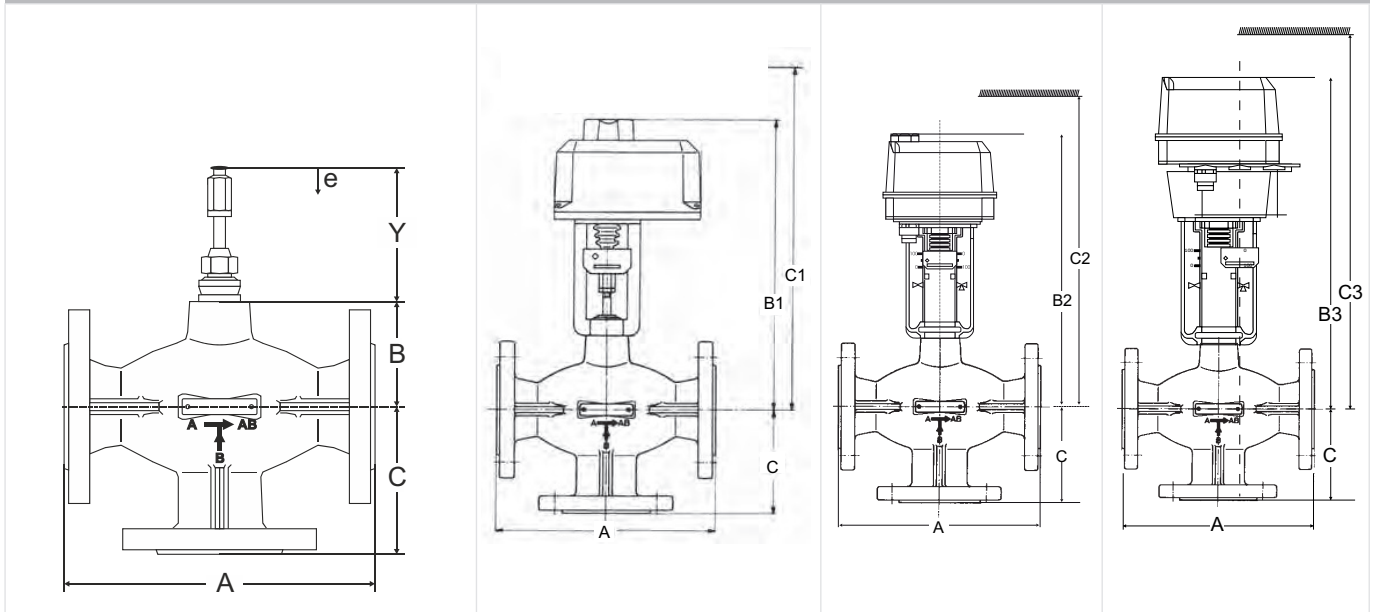
\* Preferred solution are the ML6421/ML7421 actuators

### Characteristic curves



## DIMENSIONS

### Overview



DN	A	B	C	Adjustment dimension (A-AB in closed position)		ML6421A ML7421A		ML6420 ML7420		ML6425 ML7425	
				Y	e	B1	C1	B2	C2	B3	C3
15	130	63	90	107	20	330	425	305	385	350	430
20	150	63	95			330	425	305	385	350	430
25	160	80	100			345	440	325	405	365	445
32	180	80	105			345	440	325	405	365	445
40	200	80	115			345	440	325	405	365	445
50	230	94	125			360	455	340	420	380	460
65	290	105	145			370	465	350	430	390	470
80	310	112	155			380	475	355	435	400	480
						<b>ML6421B ML7421B</b>					
100	350	100	150	107.5	38	430	530	-	-	-	-
125	400	120	175			450	550	-	-	-	-
150	480	140	200			470	570	-	-	-	-

Note: All dimensions in mm unless stated otherwise.

## ORDERING INFORMATION

### Naming key linear valves

<b>X</b>	<b>F</b>	<b>15</b>	<b>A</b>	<b>2.5</b>
Type of valve	Type of thread	DN	PN	K <sub>VS</sub> -value
X = 3-way valve	F = Flanged	15 20 25 32 40 50 65 80 100 125 150	A = 6	2.5 4.0 6.3 10 16 25 40 63 100 140 220 310

### 3-Way Linear Valve - Flanged

<b>DN</b>	<b>k<sub>VS</sub>-value</b>	<b>Connection</b>	<b>Nominal pressure</b>	<b>Description</b>	<b>OS.-No.</b>
15	2.5	flanged	PN6	3-way valve, flanged, DN15, PN6, k <sub>VS</sub> 2.5	XF15A2.5
15	4	flanged	PN6	3-way valve, flanged, DN15, PN6, k <sub>VS</sub> 4	XF15A4.0
20	6.3	flanged	PN6	3-way valve, flanged, DN20, PN6, k <sub>VS</sub> 6.3	XF20A6.3
25	10	flanged	PN6	3-way valve, flanged, DN25, PN6, k <sub>VS</sub> 10	XF25A10
32	16	flanged	PN6	3-way valve, flanged, DN32, PN6, k <sub>VS</sub> 16	XF32A16
40	25	flanged	PN6	3-way valve, flanged, DN40, PN6, k <sub>VS</sub> 25	XF40A25
50	40	flanged	PN6	3-way valve, flanged, DN50, PN6, k <sub>VS</sub> 40	XF50A40
65	63	flanged	PN6	3-way valve, flanged, DN65, PN6, k <sub>VS</sub> 63	XF65A63
80	100	flanged	PN6	3-way valve, flanged, DN80, PN6, k <sub>VS</sub> 100	XF80A100
100	140	flanged	PN6	3-way valve, flanged, DN100, PN6, k <sub>VS</sub> 140	XF100A140
125	220	flanged	PN6	3-way valve, flanged, DN125, PN6, k <sub>VS</sub> 220	XF125A220
150	310	flanged	PN6	3-way valve, flanged, DN150 PN6, k <sub>VS</sub> 310	XF150A310

## Accessories

## Overview associated actuators

Valve stroke	Control signal	
	3-point (230 V AC or 24 V AC power supply)	0...10 V (24 V AC power supply)
20 mm	ML6420A ML6421A ML6425A/B	ML7420A ML7421A ML7425A/B
38 mm	ML6421B	ML7421B

	Description	Voltage	Runtime	Part No.
	<b>ML6420A</b> <b>Actuator: 3-point / floating</b>			
	20 mm effective stroke, 600N	230 V AC	60 s	ML6420A3015
		24 V AC	30 s	ML6420A3031
	38 mm effective stroke, 1800N	230 V AC	60 s	ML6420A3007
24 V AC		30 s	ML6420A3023	
	<b>ML7420A</b> <b>Actuator: modulating 0/2 ... 10 V</b>			
	20 mm effective stroke, 600N	24 V AC	60 s 30 s	ML7420A6009 ML7420A6017
	<b>ML6421</b> <b>Actuator: 3-point / floating</b>			
	20 mm effective stroke, 1800N	230 V AC	114 s	ML6421A3013
		24 V AC		ML6421A3005
	38 mm effective stroke, 1800N	230 V AC	210 s	ML6421B3012
24 V AC		ML6421B3004		
	<b>ML7421</b> <b>Actuator: modulating 0/2 ... 10 V</b>			
	20 mm effective stroke, 1800N 38 mm effective stroke, 1800N	24 V AC	114 s 210 s	ML7421A3004 ML7421B3003
	<b>ML6425</b> <b>Actuator: 3-point / floating (spring return)</b>			
	20 mm effective stroke, 600N, spring return extends	230 V AC	108 s	ML6425A3014
		24 V AC		ML6425A3006
	20 mm effective stroke, 600N, spring return retract	230 V AC	108 s	ML6425B3021
24 V AC		ML6425B3005		
	<b>ML7425</b> <b>Actuator: modulating 0/2 ... 10 V (spring return)</b>			
	20 mm effective stroke, 600N, spring return extends 20 mm effective stroke, 600N, spring return retract	24 V AC	108 s	ML7425A6008 ML7425B6007

**Spare Parts**

**Naming key spare parts**

ASV	-PA	-3	-25
Accessories and spares for valves	Range	Type	k <sub>VS</sub> -value
ASV = Accessories and spares for valves	PAC = Packing, complete PN = Packing nut SBA = Stem button assy PA = Plug assembly	1 2 3 4	25 40 63 100 140 220 310

Overview	Description	Dimension	Part No.
	<b>1 Stem button assy</b>		
		DN15 - DN32	ASV-SBA-1
		DN40 - DN80	ASV-SBA-2
		DN100 - DN150	ASV-SBA-4
	<b>2 Packing nut</b>		
		DN15 - DN32	ASV-PN-1
		DN40 - DN80	ASV-PN-2
		DN100 - DN150	ASV-PN-4
	<b>3 Packing</b>		
		DN15 - DN32	ASV-PAC-1
		DN40 - DN80	ASV-PAC-2
		DN100 - DN150	ASV-PAC-4
	<b>4 Pin stop plug</b>		
	<b>5 Plug assembly</b>		
		DN40, k <sub>VS</sub> 25	ASV-PA-3-25
		DN50, k <sub>VS</sub> 40	ASV-PA-3-40
		DN65, k <sub>VS</sub> 63	ASV-PA-3-63
		DN80, k <sub>VS</sub> 100	ASV-PA-3-100
		DN100, k <sub>VS</sub> 140	ASV-PA-3-140
		DN125, k <sub>VS</sub> 220	ASV-PA-3-220
	DN150, k <sub>VS</sub> 310	ASV-PA-3-310	



Manufactured for and on behalf of  
Pittway Sàrl, Z.A., La Pièce 4  
1180 Rolle, Switzerland

For more information  
[homecomfort.resideo.com/europe](http://homecomfort.resideo.com/europe)  
Ademco 1 GmbH, Hardhofweg 40,  
74821 MOSBACH, GERMANY  
Phone: +49 6261 810  
Fax: +49 6261 81309

This document contains proprietary information of Pittway Sàrl and its affiliated companies and is protected by copyright and other international laws. Reproduction or improper use without specific written authorization of Pittway Sàrl is strictly forbidden.